

Intellian v240K

2.4m Ku-band

Maritime VSAT Antenna System



Antenna dome features

The v240K antenna dome is combined with 12 panels which makes it easier to assemble than equivalent products. The unit comes with an optional temperature control assembly that automatically provides the dome enclosure's interior with air conditioned cooling as needed. No matter what the temperature is outside the dome, you can rest assured that the unit will be fully functioning under optimal temperature conditions inside the dome.

Wide elevation angle

The v240K's wide-look angle pedestal design is excellently suited for extremely low or high latitude areas, such as the Scandinavian Peninsula or the Equatorial regions. Empower your vessel with the ability to travel far and wide, without the worry of signal loss!

Easy installation, setup and operation

With the v240K, installation and setup are easier than ever. Once a satellite's peak signal position is acquired during first-time setup, the unit will automatically re-adjust accordingly every time it boots (bow, home sensor offset, azimuth, and elevation position), saving you huge amounts of time and effort.

Motor brakes

Motor brakes on the elevation and cross-level components prevent dish damage from sudden movements and/or shock when the unit is powered off, in transport, or in storage.

Intellian

Connect with the best

Intellian v240K

2.4m Ku-band Maritime VSAT Antenna System

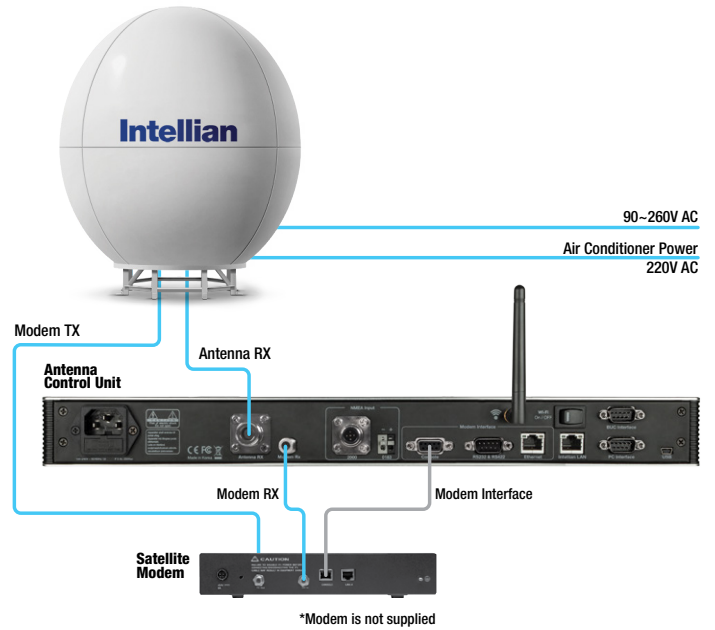
I Technical Specifications

Physical	
Radome Height	410cm / 161.4"
Radome Diameter	330cm / 130.0"
Reflector Diameter	240cm / 94.5"
Antenna Weight	670kg / 1477lbs
Stabilized Pedestal Assembly	
Platform	3-axis : Azimuth, Elevation, Cross-level
Azimuth Range	Unlimited
Elevation Range	-15° to +120°
Cross-level Range	±30°
Stabilized Accuracy	0.2° peak mis-pointing @ max ship motion condition
Motor Brake System	Elevation, Cross-level
Reflector & Feed Assembly	
TX Frequency	13.75~14.5GHz Ku-band
TX Gain	48.0dBi @ Mid band
RX Frequency	10.95~12.75GHz Ku-band
RX Gain	46.6dBi @ Mid band
G/T	27.6dB/K (Clear Sky, 30° Elevation)
BUC Power	16W
LNB	Intellian PLL LNB
Polarization	Cross-pol only
Antenna Control Unit	
Dimensions (WxDxH)	43.1cm x 38.1cm x 4.4cm / 17" x 15" x 1.7"
Weight	3.5kg / 7.7lbs
Display	2 line 40 character graphic VFD module
Ship's Gyrocompass Interface	NMEA / NMEA 2000
Modem Interface	Ethernet port / RS-232C / I/O ports
Modem Protocol	iDirect, Comtech, SatLink, Hughes, GILAT
Remote Management	Yes
Wi-Fi Operation	Yes
Management Port	Yes
Power Requirement	100~240V AC, 50~60 Hz, 1A

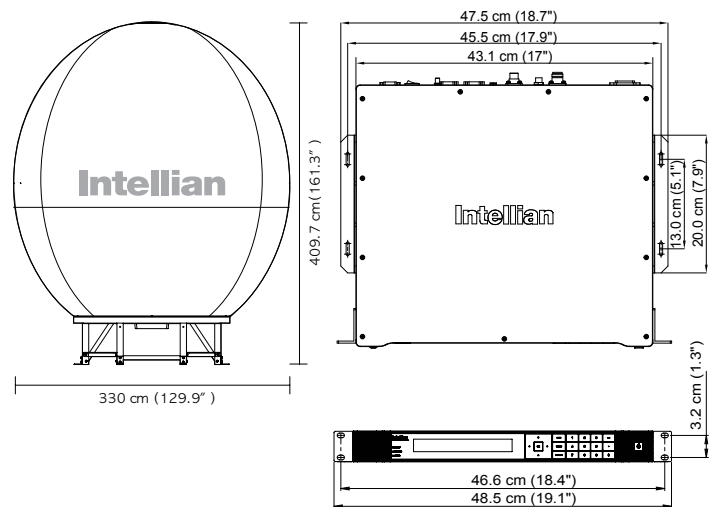
I ACU Key Features

- Firmware updates can easily and reliably be made through the ACU without any hardware replacements utilizing Intellian's custom updating.
- Wi-Fi supported ACU provides convenient connection to the ACU for setup and system monitoring.
- TCP/IP supports a wide range of modem interface formats (including Ethernet, console, RS232).

I System Diagram



I System Dimension



Global HQ
Innovation Center / Factory
Intellian Technologies, Inc
T +82 31 379 1000
F +82 31 377 6185

APAC
Seoul Office
Intellian Technologies, Inc.
T +82 2 511 2244
F +82 2 511 2235

Americas
Irvine Office
Intellian Technologies USA, Inc.
T +1 949 727 4498
F +1 949 271 4183
Toll Free +1 888-201-9223

EMEA
Rotterdam Office
Intellian B.V.
T +31 1 0820 8655
F +31 1 0820 8656